

kalon

ASSEMBLY
INSTRUCTIONS
CARAVAN
CRIB

*INSTRUCTIONS
POUR LE
MONTAGE DU LIT
BEBE CARAVAN*

Model N°: Caravan Crib 041 | KALON STUDIOS

www.kalonstudios.com | studio@kalonstudios.com

P.O. Box 292612 | Los Angeles | CA 90029 | 866.514.2034



ENTIRELY ORIGINAL DESIGN FOR A SUSTAINABLE CULTURE

Made with uncompromising craftsmanship by traditional woodworkers in the USA from 100% sustainably-harvested, solid, domestic wood, the Caravan Collection is a celebration of craft and contemporary American woodworking.

The unique character of the natural material is an integral part of the design that will only improve with age and use.

As with all of our pieces, we used the most sustainable materials and methods available. This collection is manufactured in the United States, upholding the long-standing regional tradition of furniture making and the craftspeople who are a part of it. Designed to be as socially and environmentally responsible as it is beautiful, each piece is built to last for generations of use.

MAINTENANCE, CLEANING AND STORAGE

Please take care to periodically check the crib/toddler bed to ensure that it is properly assembled and that no parts have come loose. Verify that the crib toddler bed parts remain fit snugly against one another and tighten hardware if needed. Clean with a rag dampened with warm water. Do not use soap or harsh chemicals as they will remove the natural, oil-wax finish.

Maintain finish with wood oil of your choice or contact studio@kalonstudios.com for recommendations.

For best storage, repack crib/toddler bed in original packaging and/or store in a dry area, upright and flat.

Do not allow to bend.

Keep instructions in pouch for future use.

ENTRETIEN, NETTOYAGE ET RANGEMENT

Veillez inspecter régulièrement le meuble, s'assurer que les pièces soient bien assemblées et que les composantes ne se soient pas desserrées. Au besoin, utilisez un tournevis pour resserrer les pièces.

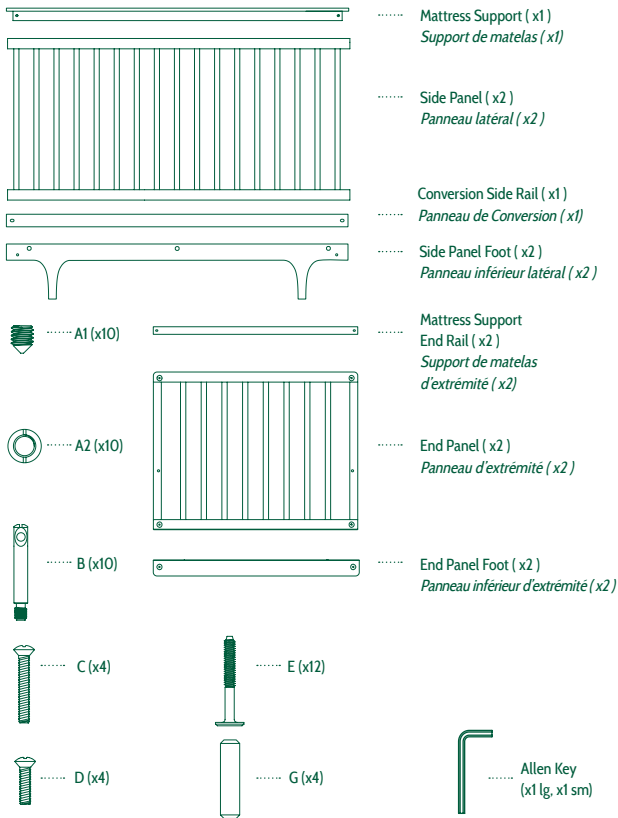
Nettoyez les surfaces à l'aide d'un chiffon imprégné d'eau tiède. Veillez éviter l'utilisation de savon ou de nettoyeurs chimiques qui risqueraient d'enlever le fini de cire et d'huile naturelle. Vous pouvez redonner un lustre au fini en appliquant une huile naturelle pour bois de votre choix ou nous contacter par courriel à studio@kalonstudios.com pour des recommandations.

Pour optimiser l'entreposage, vous pouvez démonter et remettre le meuble dans son emballage original et l'entreposer dans un environnement sec en position verticale ou horizontale afin d'éviter toute déformation.

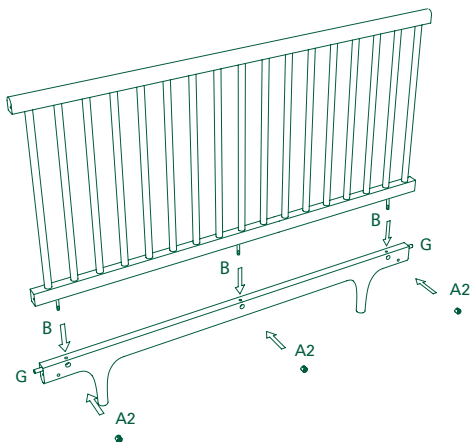
Veillez conserver les instructions dans la pochette pour la prochaine utilisation.

PIECES INCLUDED / *PIECES INCLUSES*

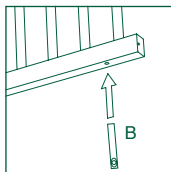
Refer to pouch for true to life diagram of hardware.



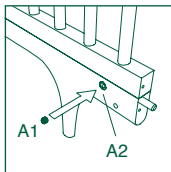
*Philips head screwdriver required for assembly. Tournevis cruciforme requis pour le montage.
More fun when done with two people. Even better with an electric screwdriver.*



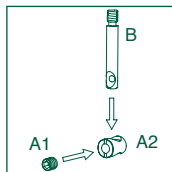
DETAIL / DÉTAIL 1



DETAIL / DÉTAIL 2



DETAIL / DÉTAIL 3

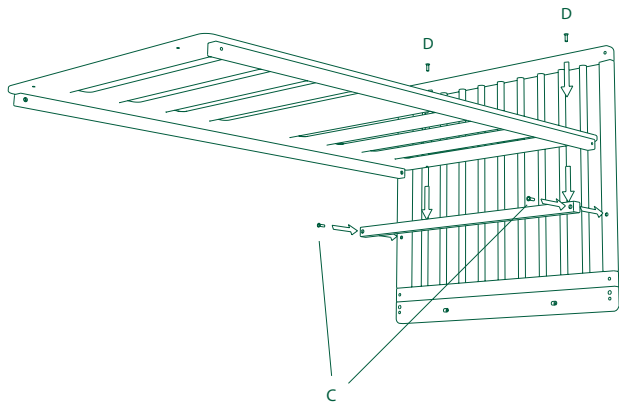
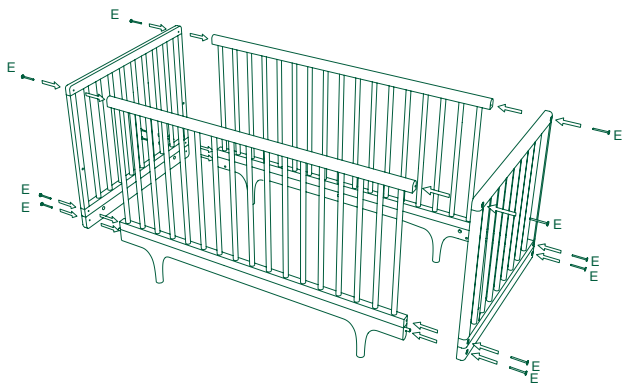


STEP 1

- Insert parts G into available holes at end of panel feet.
- Fully thread parts B into holes along bottom edge of the Side and End Panels. (Detail 1)
- **Troubleshooting: Sometimes screw inserts can be blocked by small amounts of glue. If you encounter any obstruction when inserting hardware, thread the bolt in and out several times to clear the blockage.**
- Once fully screwed in, ensure that through hole in part B aligns with holes on inner face of Side and End Panel Feet. Part B may need to be backed out by a small degree for true alignment.
- Insert parts A2 into large holes along inner face of all panel feet ensuring that A2 is centered and that the holes align vertically.
- Lower the Side and End Panels onto panel feet by sliding Parts B through holes along upper edge of all panel feet and into holes in parts A2.
- Use the small Allen Key to screw parts A1 into parts A2. (Detail 2)
- For an illustrated reference of hardware assembly see Detail 3.

ETAPE 1

- *Insérez les pièces G dans les ouvertures prévues sur le côté extérieur des panneaux inférieur pour le côté latéral.*
- *Vissez les pièces B dans les ouvertures prévues sur les côtés des panneaux latéraux et des panneaux d'extrémité. (Détail 1)*
- ***Dépannage: Parfois, les inserts de vis peuvent être bloqués par de petites quantités de colle. Si vous rencontrez un obstacle lors de l'insertion du matériel, vissez et resserrez le boulon plusieurs fois pour éliminer le blocage.***
- *Insérez les pièces A2 dans les ouvertures prévues sur le côté intérieur de l'ensemble des panneaux inférieurs.*
- *Assemblez les panneaux supérieurs avec les panneaux inférieurs en insérant les pièces B dans l'ouverture correspondante.*
- *Avec la petite clé Allen, fixer les pièces A1 dans l'ouverture correspondante dans les pièces A2. (Détail 2)*



STEP 2

- Insert parts E through holes on outer side of End Panels and End Panel Feet, then into holes on edge of Side Panels and Side Panel Feet.
- Use the large Allen Key to loosely tighten parts E. Do not fully tighten hardware until all panels are attached and all parts E have been inserted.

ETAPE 2

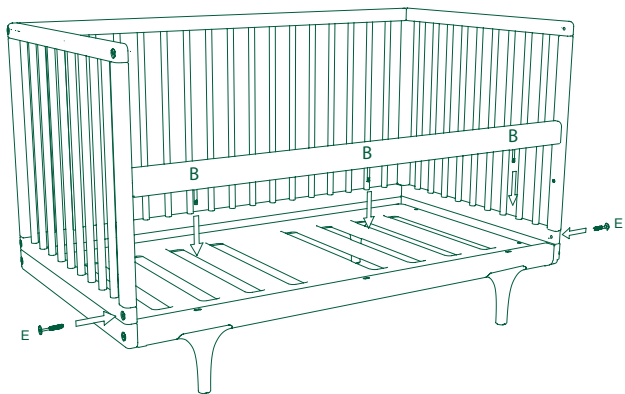
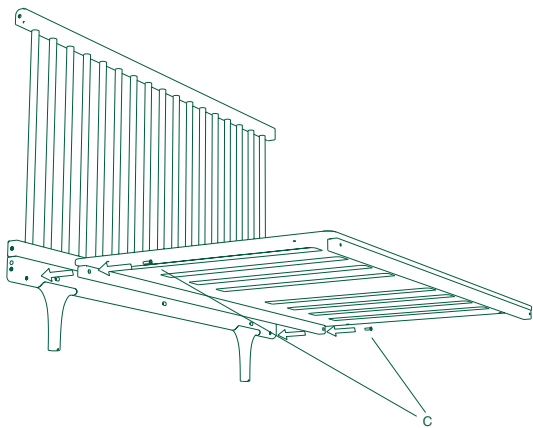
- *Insérez les pièces E dans les ouvertures prévues sur le côté extérieur des panneaux d'extrémité et des panneaux inférieur d'extrémité, et dans l'ouverture correspondante sur les panneaux latéraux et les panneaux inférieur latéraux.*
- *Avec la grande clé Allen, vissez afin de serrer les pièces.*

STEP 3 adjusting mattress height- higher setting

- Insert parts C through holes on the face of Mattress Support End Rail and into holes on End Panels.
- Use a philips head screwdriver to tighten parts C.
- Align holes on mattress support with those on the upper edge of Mattress Support End Rail. Insert parts D through holes.
- Use a philips head screwdriver to tighten parts D.

ETAPE 3 régler la hauteur du matelas - position élevée

- *Fixez le support d'extrémité de matelas sur les panneaux latéraux en insérant les pièces C dans les ouvertures prévues.*
- *Utilisez un tournevis cruciforme pour fixer les pièces C.*
- *Alignez les trous du support de matelas avec les trous sur le bord supérieur du support d'extrémité de matelas. Insérez les pièces D dans les ouvertures prévues.*
- *Utilisez un tournevis cruciforme pour fixer les pièces D.*



STEP 4 adjusting mattress height- lower setting

- **WARNING: If attached, Mattress Support End Rails must be removed from crib and/or mattress support.**
- Insert parts C through holes at bottom of mattress support and into holes on Side Panels.
- Use a philips head screwdriver to tighten parts C.

ETAPE 4 régler la hauteur du matelas - position basse

- **MISE EN GARDE: S'ils sont attachés, retirez les supports de matelas d'extrémité.**
- Fixez le support de matelas sur les panneaux latéraux en insérant les pièces C dans les ouvertures prévues.
- Utilisez un tournevis cruciforme pour fixer les pièces C.

STEP 5 single panel toddler bed conversion

- **These instructions are for single side panel conversion only and are not for the Caravan Divan Conversion Kit. Flip the book for Divan Conversion Kit instructions.**
- Follow the instructions in Steps 1 and 2 using the Conversion Side Panel in the place of the crib Side Panel.
- Use the supplied Allen Keys to ensure all hardware parts are tightened.

ETAPE 5 conversion de lit de toddler a panneau unique

- **Ces instructions concernent uniquement la conversion de panneau latéral et non le kit de conversion Caravan Divan. Feuilletez le livre pour les instructions du kit de conversion Divan.**
- Suivez les instructions des étapes 1 et 2 en utilisant le panneau latéral de conversion à la place du panneau latéral.
- Utilisez les clés Allen fournies pour vous assurer que toutes les pièces sont serrées.



WARNING: Failure to follow these warnings and the assembly instructions could result in serious injury or death.

DO NOT use this crib if you cannot exactly follow the accompanying instructions. Read all instructions before assembling crib. KEEP INSTRUCTIONS IN POUCH FOR FUTURE USE. • To reduce the risk of SIDS, pediatricians recommend healthy infants be placed on their backs to sleep, unless otherwise advised by your physician.

• Check this product for damaged hardware, loose joints, loose bolts or other fasteners, missing parts, or sharp edges before and after assembly and frequently during use. Securely tighten loose bolts and other fasteners. DO NOT use crib if any parts are missing, damaged or broken. Contact Kalon Studios for replacement parts and instructional literature if needed. DO NOT substitute parts.

• If refinishing, use a non-toxic finish specified for children's products.

• Follow warnings on all products in a crib. • Infants can suffocate on soft bedding. Never add a pillow or comforter. Never place additional padding under an infant.

• Strings can cause strangulation! DO NOT place items with a string around a child's neck, such as hood strings or pacifier cords. DO NOT suspend strings over a crib or attach strings to toys. DO NOT

place crib near or within reach of a window or door where cords from blinds or drapes may strangle a child. • To help prevent strangulation tighten all fasteners. A child can trap parts of the body or clothing on loose fasteners. • Never use plastic shipping bags or

other plastic film as mattress covers because they can cause suffocation. • Infants can suffocate in gaps between crib sides and a mattress that is too small. • When child is able to pull to a standing

position, set mattress to lowest position and remove bumper pads, large toys and other objects that could serve as steps for climbing out.

• Stop using crib when child begins to climb out or reaches the height of 89 cm. The child should be placed in a toddler bed or regular bed.

CAUTION: Any mattress used in this crib shall be at least 69cm by 131cm with a thickness not exceeding 15cm.